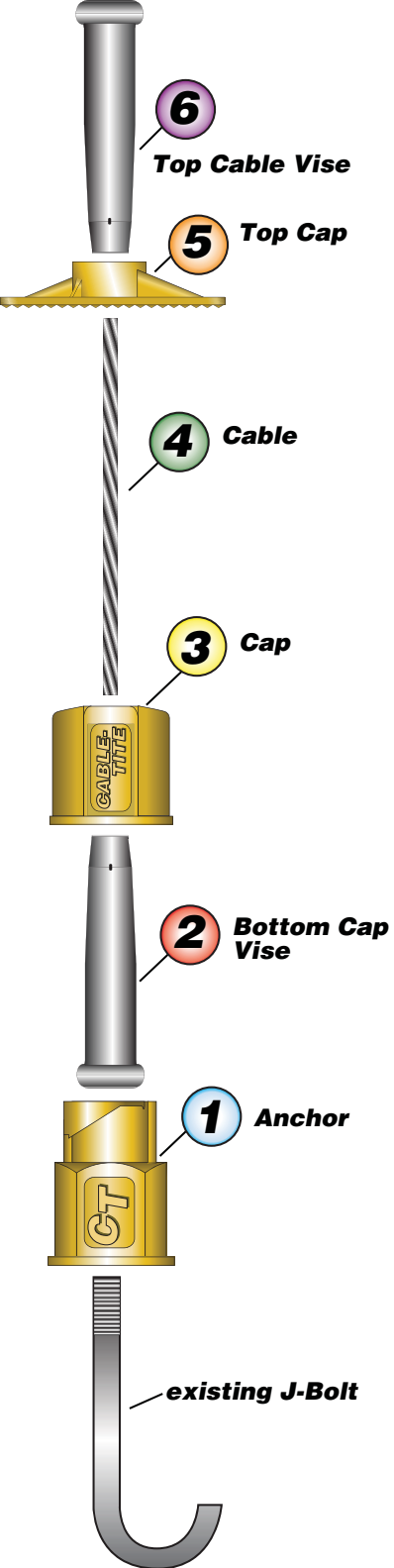
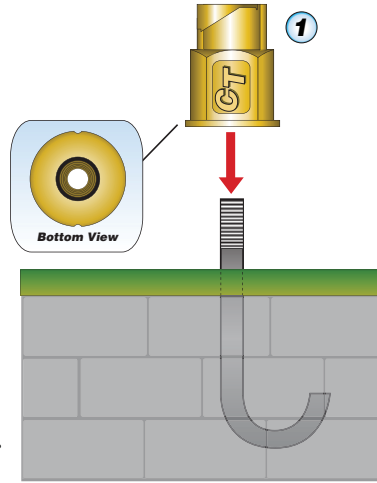


STEP BY STEP ASSEMBLY FOR CABLE-TITE



Step 1.

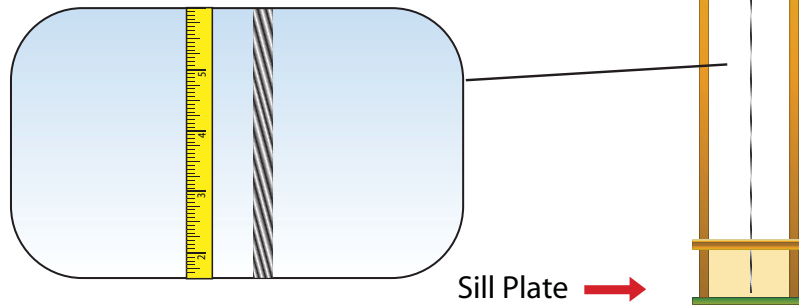
Secure the anchor nut ① to the existing anchor bolt.



Use the CABLE-TITE wrench to get nut snug with the sill plate.

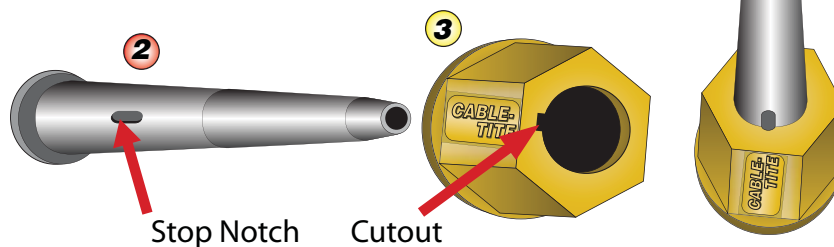
Step 2.

Cut cable ④ to length. Measure from sill plate to top of stud wall top plate and add 6 inches.



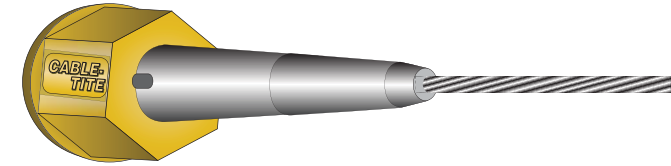
Step 3.

Feed lower cable vise ② through bottom of locking cap ③. Note the small stop notch on the vise which should be aligned with cutout on the cap



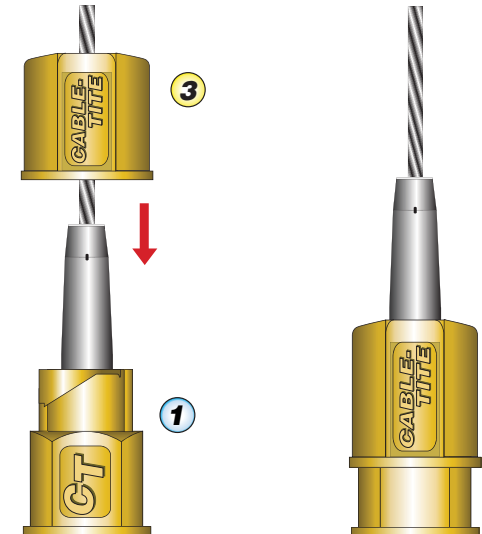
Step 4.

Feed one end of cable into cable vise small end. **CAUTION: Do not push past end of vise**, just to the plastic cap. If you pass the bottom of the vise, pull cable through completely and start over.



Step 5.

Place locking cap ③ onto anchor nut ①, and twist, but do not lock. Be careful to handle only the cap and not use vise, because the vise may slide. Use one hand to pull upward on the cable and one to screw on the locking cap. The cap should be loosely secure so as to keep the cap in place, but not locked.



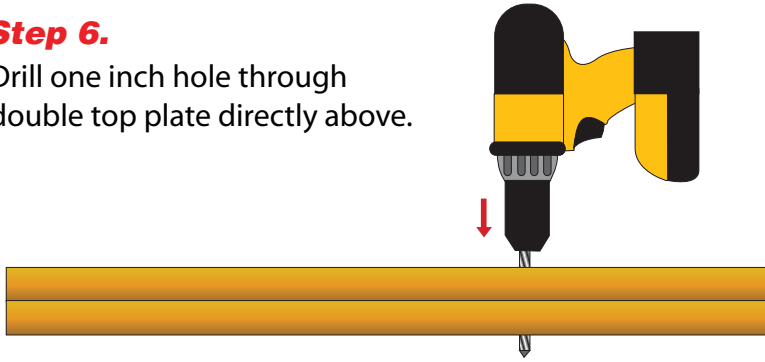
5a. For masonry foundations, drill 3/8" hole through bottom plate of stud wall and sub floor then feed cable through.

STEP BY STEP ASSEMBLY FOR CABLE-TITE

Completed Installation

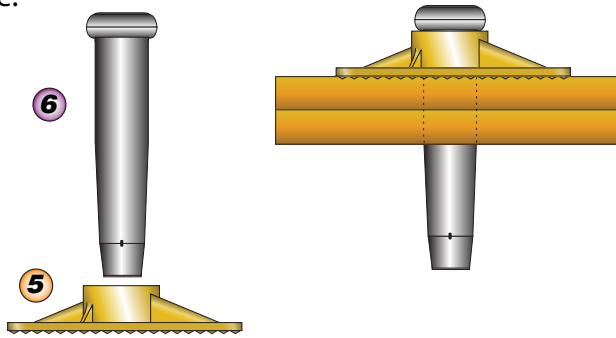
Step 6.

Drill one inch hole through double top plate directly above.



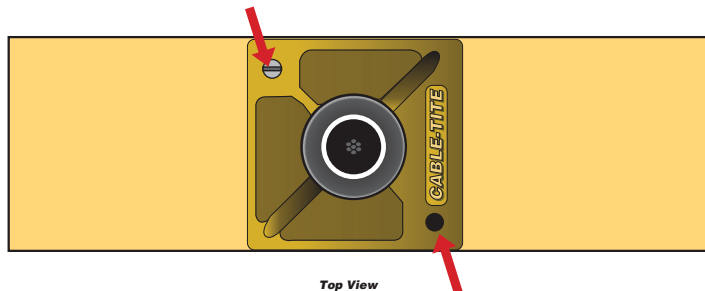
Step 7.

Feed upper vise (6) into the top plate (5), from the topside, pointing downward. Align the small stop notch to fit the cutout on the top plate. Note that the bottom of the top plate has knurling to grip the wood. Sit top plate assembly into hole.



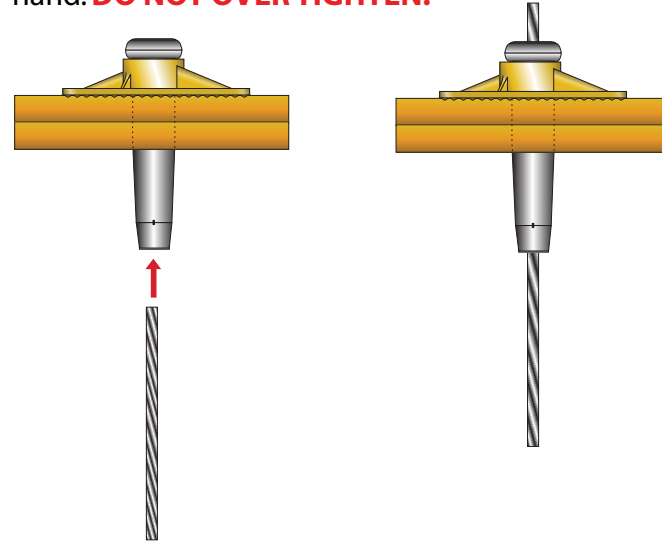
Step 8.

Secure the top plate with two 2 1/2" nails or screws



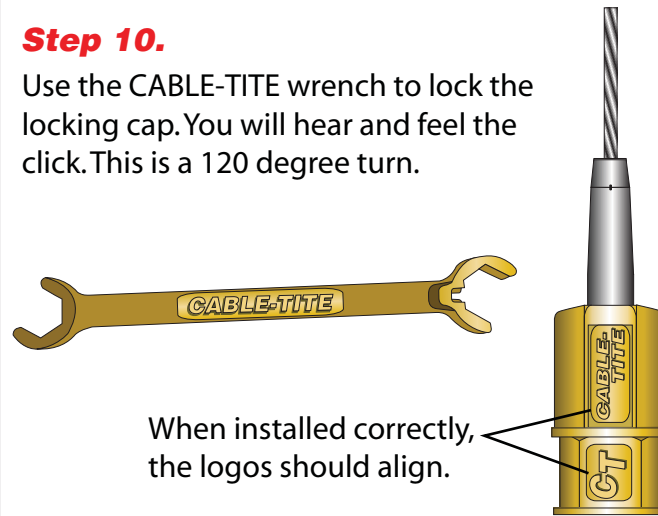
Step 9.

Feed the cable into the cable vise. Grip excess cable at the top and pull tight by hand. Work the cable and the vise until you have as tight as possible by hand. **DO NOT OVERTIGHTEN.**



Step 10.

Use the CABLE-TITE wrench to lock the locking cap. You will hear and feel the click. This is a 120 degree turn.



Step 1 can be done at the time the sill plate is installed, or later when ready to install CABLE-TITE. Complete installation of CABLE-TITE should be done just before enclosing the walls.

